

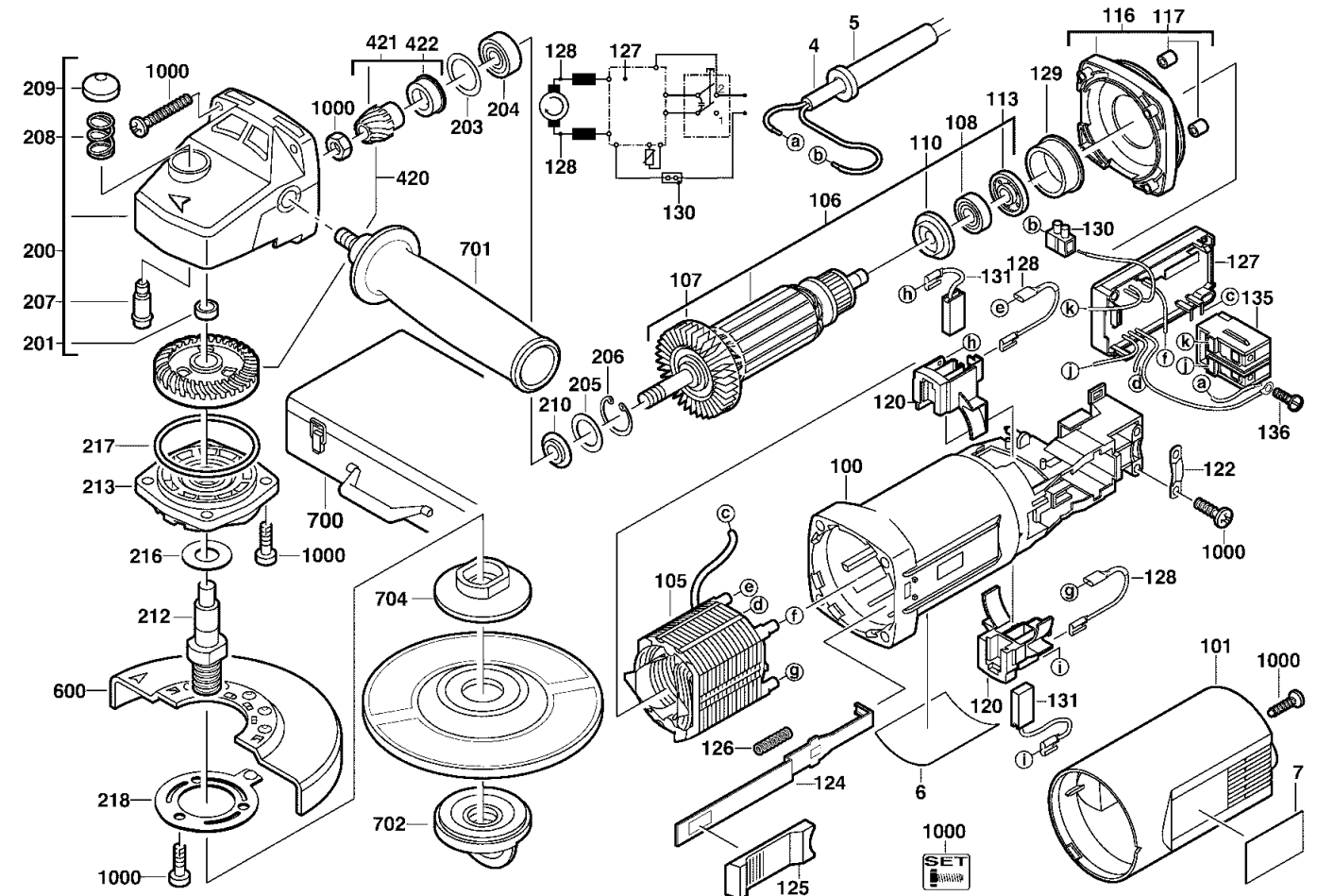
# A & M Electric Tools

Ind	Product No.	Type	Voltage	Country
a	4000362666	AG1500-125XC	230V	IN2
b	4000369483	AG1500-125XC	230V	IN2
c	4000369046	AG1500-125XC	240V	AUS
d	4000369066	AG1500-125XC	230V	CH2

# Angle Grinders

Atlas Copco  
**AG1500-125XC**

Exp.view No.      Version      Date      Page  
**4926 3626 70      0010      18.10.01      1/2**



Pos	Index	Quanti	Article No.	Designation	Pos	Index	Quanti	Article No.	Designation
0004	ab.....	1	4931623861	CONNECTION CABLE	0124	abcd.....	1	4931326959	GUIDE PIECE
0004	..c.....	1	4931624333	CONNECTION CABLE	0125	abcd.....	1	4931362904	SLIDER
0004	...d.....	1	4931362300	CONNECTION CABLE	0126	abcd.....	1	4931326981	PRESSURE SPRING
0005	ab.....	1	4931218785	CABLE ENTRY SLEEVE	0127	abcd.....	1	4931362676	ELECTRONIC ELEMENT
0005	..cd.....	1	4931206687	CABLE ENTRY SLEEVE	0128	abcd.....	2	4931623738	WIRE
0006	a.....	1	4931362674	RATING PLATE	0129	abcd.....	1	4931326953	BEARING SLEEVE
0006	..b.....	1	4931369488	RATING PLATE	0130	abcd.....	1	4931341008	TERMINAL STRIP
0006	...c.....	1	4931369048	RATING PLATE	0131	abcd.....	1	4931369477	CARBON BRUSH SET
0006	...d.....	1	4931369068	RATING PLATE	0135	abcd.....	1	4931326976	SWITCH
0007	abcd.....	1	4931355134	DATA PLATE	0136	abcd.....	1	4931617313	SCREW
0100	abcd.....	1	4931326911	HOUSING	0200	a.c.....	1	4931369768	GEAR BOX
0101	abcd.....	1	4931326966	HOUSING CAP	0200	..b.d.....	1	4931362893	GEAR BOX
0105	abcd.....	1	4931378394	ELECTRIC FIELD	0201	abcd.....	1	4931912093	SLEEVE
0106	abcd.....	1	4931362615	ARMATURE	0203	a.c.....	1	4931362085	WASHER
0107	abcd.....	1	4931341088	FAN	0204	abcd.....	1	4931368037	GROOVED BALL BEAR.
0108	abcd.....	1	4931901253	BALL BEARING	0205	abcd.....	1	4931622761	DISC
0110	abcd.....	1	4931271823	INSULATING DISC	0206	abcd.....	1	4931616614	LOCKING RING
0113	abcd.....	1	4931307147	MAGNETIC DISC	0207	abcd.....	1	4931326929	LOCKING BOLT
0116	abcd.....	1	4931362611	INTERMEDIATE FLANG	0208	abcd.....	1	4931326942	PRESSURE SPRING
0117	abcd.....	2	4931271824	HOLDING-DOWN DEVIC	0209	abcd.....	1	4931326930	PUSH-BUTTON
0120	abcd.....	2	4931326923	BRUSH HOLDER	0210	a.c.....	1	4931622009	SEAL RING
0122	abcd.....	1	4931256500	CABLE COLLAR	0212	abcd.....	1	4931369770	SPINDLE

Repairs/modification and testing of electric power tools are to be carried out by specialists. The safety regulations according to DIN/VDE/CEE/AFNOR and other regulations valid in the different countries are to be observed.

# A & M Electric Tools

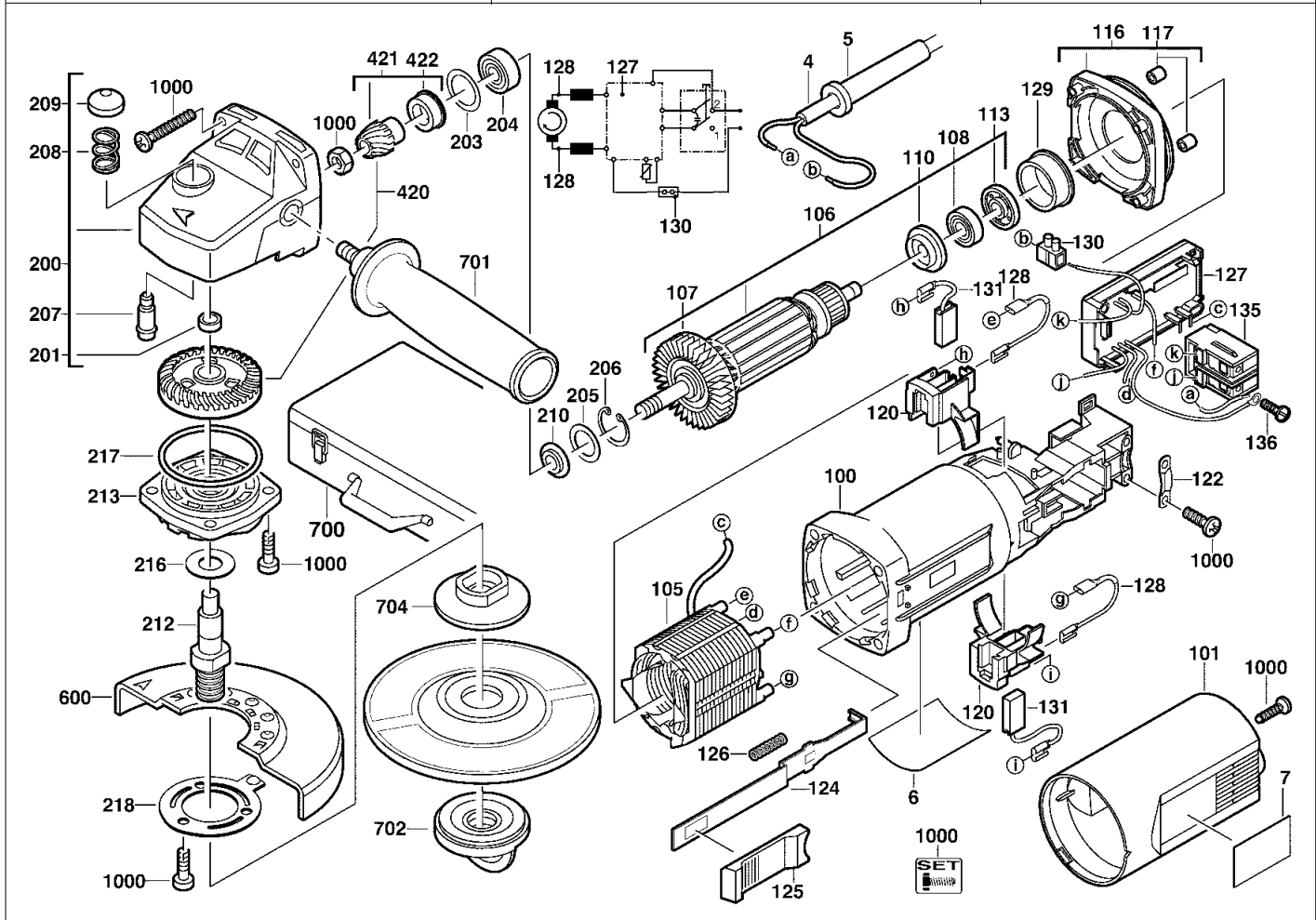
# Angle Grinders

Ind	Product No.	Type	Voltage	Country
a	4000362666	AG1500-125XC	230V	IN2
b	4000369483	AG1500-125XC	230V	IN2
c	4000369046	AG1500-125XC	240V	AUS
d	4000369066	AG1500-125XC	230V	CH2

Ind	Product No.	Type	Voltage	Country

Atlas Copco  
**AG1500-125XC**

Exp.view No.      Version      Date      Page  
**4926 3626 70      0010 18.10.01 2/2**



Pos	Index	Quanti	Article No.	Designation
0213	abcd.....	1	4931378310	BEARING END PLATE
0216	abcd.....	1	4931623480	DISC
0217	abcd.....	1	4931623590	SEAL RING
0218	abcd.....	1	4931345965	SPRING WASHER
0420	a.c.....	1	4931369937	BEVEL GEAR PAIR
0420	.b.d.....	1	4931362896	BEVEL GEAR PAIR
0421	a.c.....	1	4931369934	PINION
0421	.b.d.....	1	4931369934	PINION
0422	a.c.....	1	4931369774	SEAL RING
0422	.b.d.....	1	4931369774	SEAL RING
0600	a.c.....	1	4931378168	GUARD CAP
0600	.b.d.....	1	4931378168	GUARD CAP
0700	a.d.....	1	4932362771	CARRYING CASE
0700	.b.....	1	4931369486	CARRYING CASE
0701	abcd.....	1	4932279371	HANDLE
0702	abcd.....	1	4932358225	FIXTEC NUT
0704	abcd.....	1	4932263299	CLAMPING FLANGE
1000	abcd.....	1	4931362846	BOLT SET

Pos	Index	Quanti	Article No.	Designation